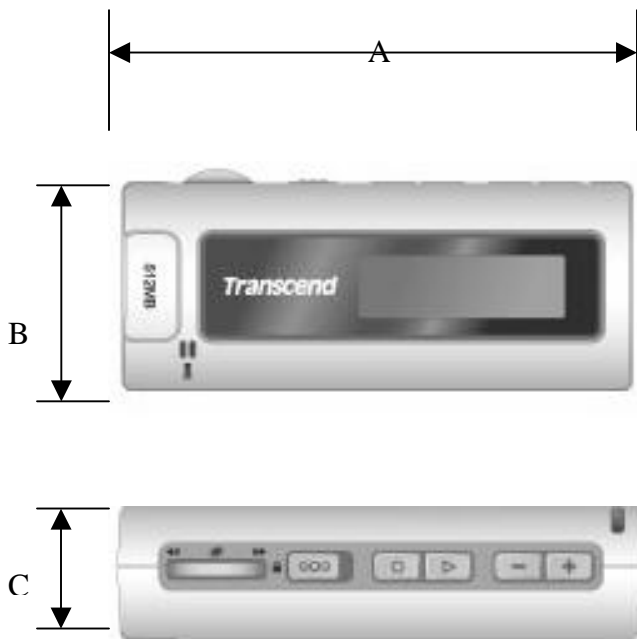


TS1GMP520

Description

TS1GMP520 is a 1GB USB Flash Drive with 1 pcs of 1Gx8 Flash Memory assembled on the printed circuit board. It combines a USB Flash Drive with an MP3 player, AB repeater, voice recorder and an FM radio.

Outline



Dimensions

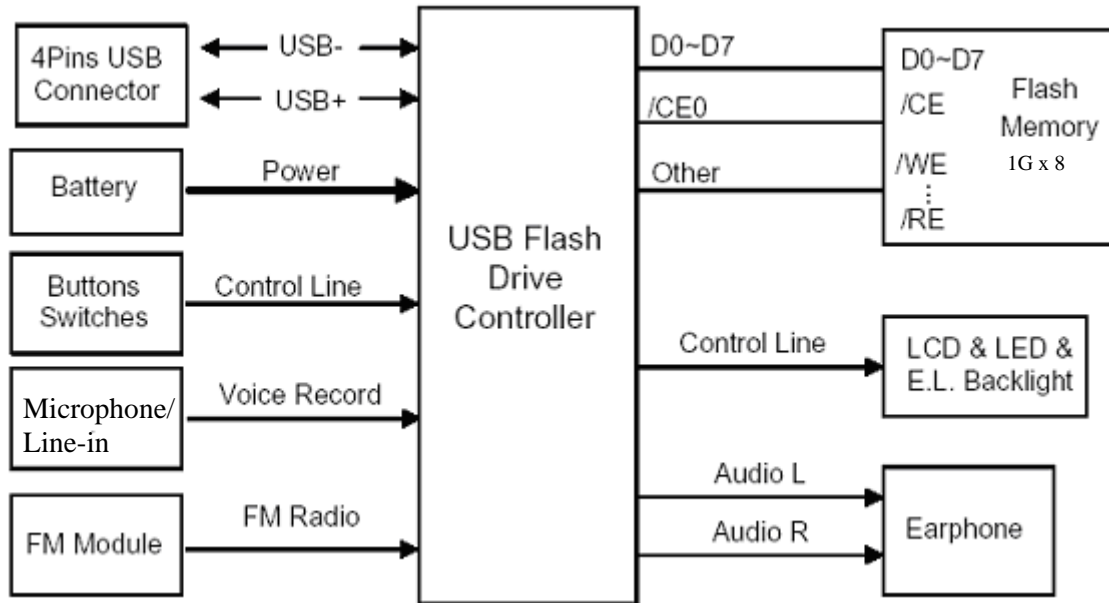
Side	Millimeters
A	74.00 ± 0.20
B	30.00 ± 0.20
C	18.50 ± 0.20

Features

- USB2.0 high-speed compliant and USB1.1 backward compatible
- One AAA alkaline battery can support up to 15 hours of operation
- Supports 13 user languages
- Supports MP3, WMA, and WAV formats
- Digital Voice Recorder
- Supports Line-In function
- A-B repeater continuously replay a designated section of a track
- Supports Sync Lyrics display during MP3 and WMA playback
- Ability to preset 20 FM channels and record directly from an FM channel to a WAV file
- Variable Track Playback speeds
- 7 Equalizer effects
- Auto-powers off after 2, 10, or 30 minutes of no usage
- OLED Display provides users with a vibrant clear display and vivid colors
- Automatic screen saver function runs if the unit is idle for a few seconds
- Operating Systems Supported: Windows® 98SE, Windows® Me, Windows® 2000, Windows® XP, Mac™ OS 9.0 or later, and Linux™ kernel 2.4 or later

Block Diagram

With 1 pcs of 1Gx8 Flash Memory



Pinouts

Pin No.	Pin Name
01	VCC
02	USB-
03	USB+
04	VSS

Pin Identification

Symbol	Function
USB- USB+	USB differential signal: The pairs are used to transmit Data/Address/Command
VSS	Ground
VCC	USB Power Input

Specifications

• Host Interface	USB2.0
• Storage	1GB
• Size:	74 mm × 30 mm × 18.5 mm
• Weight:	28g (without battery)
• Data Retention:	Up to 10 years
• Erase Cycles:	≥ 100,000 times
• Signal-to-Noise Ratio:	≥ 82dB
• Power Supply	USB mass storage: DC5V ±10% MP3 Player: 1.5V AAA Battery
• Estimated Battery Life:	15 hours (AAA alkaline battery)
• Music Formats:	MP3 and WMA (No DRM support)
• Recording Format:	ADPCM (WAV)
• Compression Rates:	32Kbps–320Kbps
• Temperature Range	-10 °C to 70 °C
• Certificates:	CE, FCC, BSMI